

Installation Instructions

p/n 02205, 09/21/11, version 2

Hon GL18 Power Plug, Fairing

This sheet must be read completely to:

1. Provide assistance/clarification to the installer.
2. Avoid causing injury to installer, customer, end user, or others.
3. Prevent damage to motorcycle and/or accessory.
4. Prevent death to customer or other vehicle operators.

Installer: Please forward this sheet to the customer after reviewing it.

It is virtually impossible for us to be able to address every possible situation an installer or user will encounter. This requires both to exercise due diligence and to apply some level of common sense. If you have any question or problem during the installation, please contact us as necessary. Read the instructions completely prior to installation. 90% of questions we receive could be answered simply by reading the instructions in their entirety. Phone support will always provide the quickest response.

Important Information in our instructions will be provided in the following manner:

SHOP TIP: this is information we have gathered from hands-on installs or customer feedback.

NOTE: important information regarding the installation.

CAUTION: failure to follow instructions could result in damage to motorcycle and/or accessory.

WARNING: failure to follow instructions could result in injury or death of operator and/or passenger or others.

NOTE:

1. "Left", "Right", "Front" and "Rear" are described from the seated position of the bike.
2. Check local laws regarding the use of auxiliary lighting.
3. Use of owners manual or service manual is recommended for installation.
4. If so equipped, place the motorcycle on it's centerstand on solid, level ground.

CAUTION:

1. Never route wires or install components that interfere with the operation of the forks, handlebars, brake/clutch levers or any other operational function of the motorcycle.
2. When adding electrical accessories, always disconnect the battery and properly fuse new electronics.

WARNING:

1. Allow the motorcycle to cool prior to installation & when operating engine, allow adequate ventilation.
2. NEVER modify the kit in ANY manner. Doing so voids warranty and places all liability on the installer and/or user.
3. Never route wires or install components that interfere with the operation of the forks, handlebars, brake/clutch levers or any other operational function of the motorcycle.
4. Never allow your accessories to cause distractions to remove your focus off the bikes operation. Never forget that this is a high risk sport - don't make it a higher risk when you don't have to.
5. Never allow your accessories to cause distractions to others on the road.

Parts Listing:

#	Qty	Description
1	1	power plug

Tools & Supplies Required

drill
1 1/8" bit
small file

1. Remove left fairing pocket.

Open pocket. There are 4 fasteners that hold the pocket in place - one in each corner. Use a pointed tool to push in the center of the fastener. Then pull the fastener out by the base. To prepare the fastener for reinstallation, hold the base in your fingers and then push the center of the fastener up until it extends beyond the base.

2. Remove fairing pocket.

If you have the AUX audio cable in the pocket, unplug it from the bike.

3. Locate the drill mark.

Refer to diagrams below for additional reference.

2001/2005 - the mark is located on the outside of the pocket on the side that would face towards the headlights.

2006/up - the mark is located on the outside of the pocket on the angled side toward the headlights.

4. Drill your hole.

Drill a 1 1/8" hole on the "X" mark.

5. Test fit plug.

Take your power plug and insert the connector into the hole first; from the inside of the pocket to the outside until it snaps into place. If your plug does not snap, you may need to create a slot as the power plug has an anti-rotation bar molded into the outside of it. Use a small file as required.

6. Install plug.

Repeat above process until the unit snaps into place.

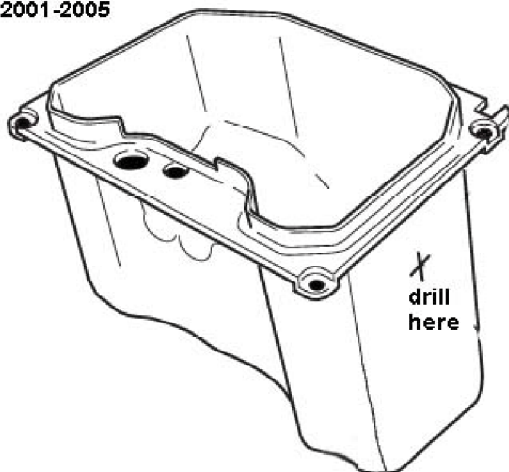
7. Connect plug.

Locate a red 3 pin plug that only has 2 wires inserted into it. Connect your power plug. If you are installing multiple devices into this connector, use our 02211 "Fairing Power Splitter".

8. Button it up.

Test the operation of the plug by inserting a device and turning the key to the on position. Once you are satisfied with your installation, reassemble your bike.

2001-2005



2006+

